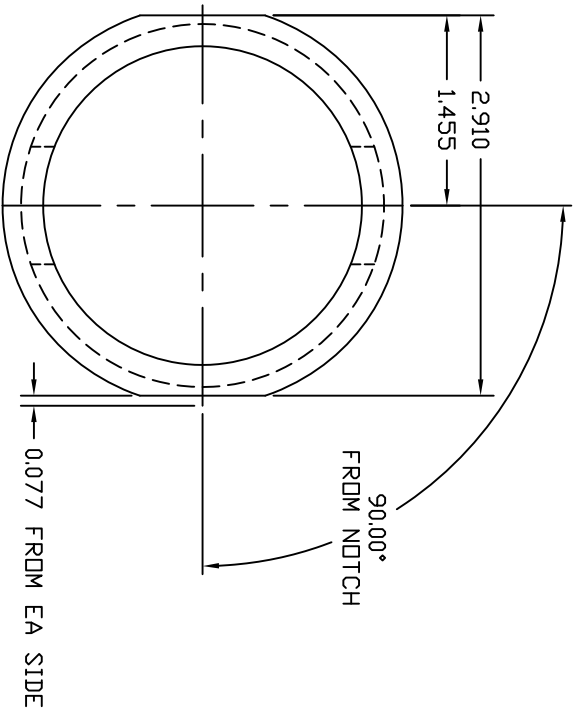
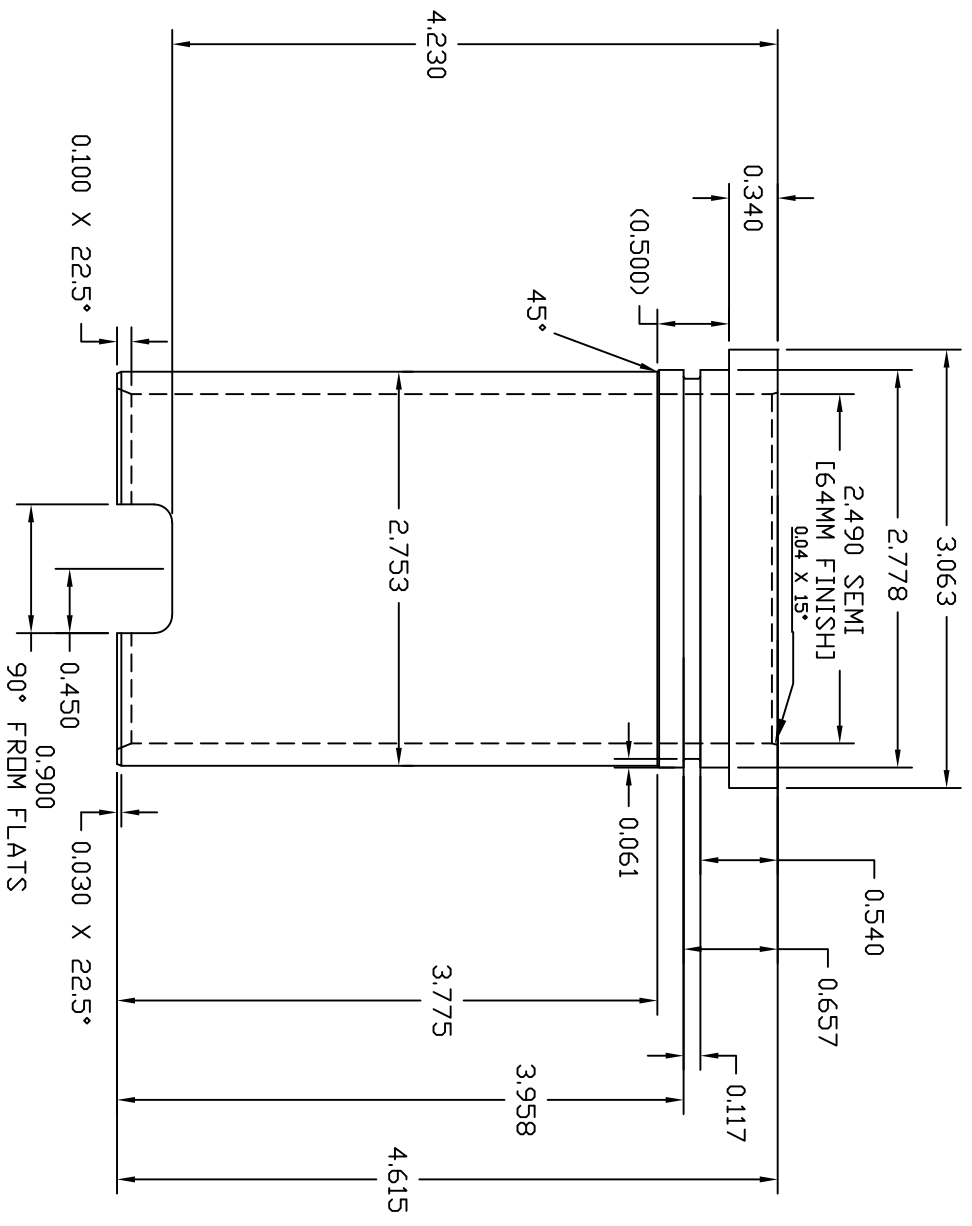


NOTES:
 1) ALL FINISHES UNLESS OTHERWISE SPECIFIED
 2) ALL DIMENSIONS UNLESS OTHERWISE SPECIFIED
 3) UNLESS OTHERWISE SPECIFIED
 4) UNLESS OTHERWISE SPECIFIED
 5) UNLESS OTHERWISE SPECIFIED

COMPUTERIZED DRAWING
 NO MANUAL REVISIONS
 PERMITTED

LET	DATE	BY	DESCRIPTION OF CHANGE
KA644 WITH NO SKIRT/BIG ID			



REF. INV# :
 Model: 1
 GEN BORE TYPE: 1
 STROKE: 0
 ROD LENGTH:
 KA644 WITH NO SKIRT/BIG ID
 DATE: RS 62mm I.O.C.
 Year: 1978-88
 UNLESS OTHERWISE SPECIFIED
 THE INFORMATION CONTAINED IN THIS DRAWING IS CONFIDENTIAL AND PROPRIETARY TO LOS ANGELES STEEL CO., INC. AND IS RELEASED WITHOUT EXPRESS PERMISSION FROM POWER PRODUCTS DIVISION AND/OR ENGINEERING.
 12051 RIVERA ROAD
 SANTA FE SPRING, CALIFORNIA 90670
 DO NOT SCALE
 DATE: N/A
 SCALE: N/A
 PART NO. KA664NS